

Description

The μ PD80C35, μ PD80C48, and μ PD48 are true stand-alone 8-bit microcomputers fabricated using CMOS technology. All of the functional blocks necessary for an integrated microcomputer are incorporated, including a 1K-byte ROM (μ PD80C48 only), a 64-byte RAM, 27 I/O lines, an 8-bit timer/event counter, and a clock generator. This integrated capability permits use in stand-alone applications. For designs requiring extra capability, the μ PD80C35/ μ PD80C48 can be expanded using peripherals and is memory compatible with industry-standard 8080A/8085A processors.

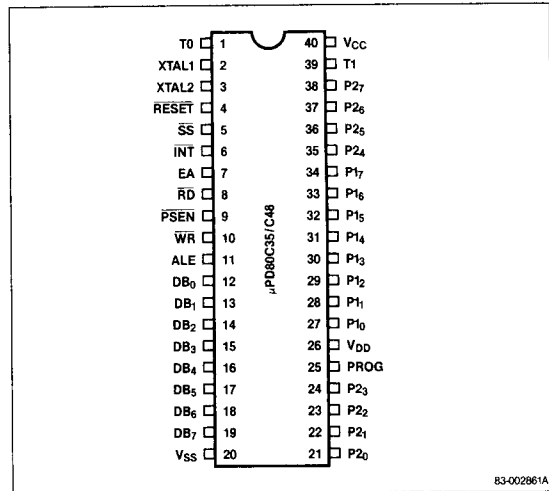
Providing compatibility with industry-standard 8048, 8748, and 8035 processors, the μ PD80C35/ μ PD80C48 features significant savings in power consumption. In addition to the power savings gained through CMOS technology, the μ PD80C35/ μ PD80C48 offers two standby modes (Halt and Stop modes) to further minimize power drain.

Features

- 8-Bit CPU with memory and I/O on a single-chip
- Hardware/software-compatible with industry-standard 8048, 8748, and 8035 processors
- 1K x 8 ROM (μ PD80C48 only)
- 64 x 8 RAM
- 27 I/O lines
- 2.5- μ s cycle time (6-MHz crystal)
- All instructions executable in 1 or 2 cycles
- 97 instructions: 70 percent are single-byte instructions
- Internal timer/event counter
- Two interrupts (external and timer)
- Easily expandable memory and I/O
- Bus compatible with 8080A/8085A peripherals
- Power-efficient CMOS technology requiring a single +2.5 to +6.0 V power supply
- Halt mode
- Stop mode

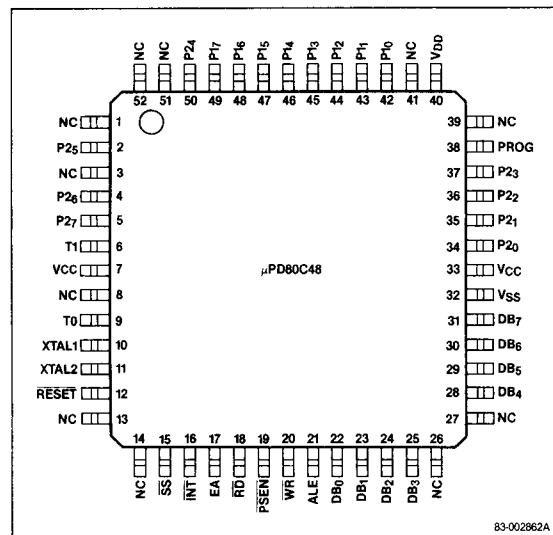
Pin Configurations

40-Pin Plastic DIP



83-002861A

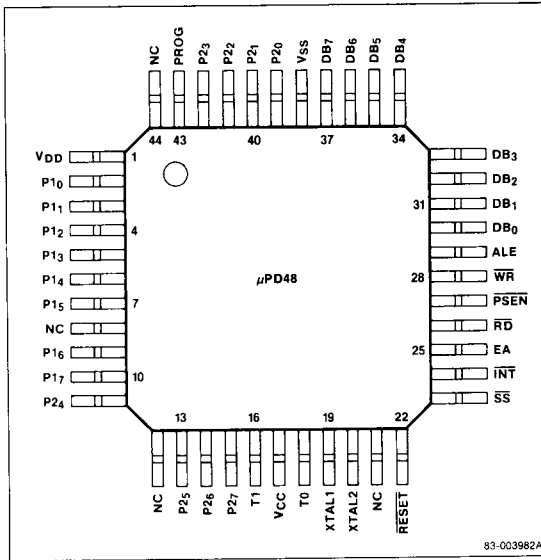
52-Pin Plastic Miniflat



83-002862A

Pin Configurations (cont)

44-Pin Plastic Miniflat



Ordering Information

Part Number	Package Type	Max Frequency of Operation	ROM
μPD80C35C	40-pin plastic DIP	6 MHz	None
μPD80C48C	40-pin plastic DIP	6 MHz	1K x 8
μPD80C48G-00	52-pin plastic miniflat	6 MHz	1K x 8
μPD48G-22	44-pin plastic miniflat	6 MHz	1K x 8

Note:

μPD80C48C, μPD80C48G-00, and μPD48G-22 have two optional port types: type 0, $I_{OH} = -5 \mu A$; type 1, $I_{OH} = -50 \mu A$. Type 0 or 1 can be selected independently for P10-P17, P20-P23, and P24-P27.

Pin Identification

Symbol	Function
T0	Test 0 input/clock output
XTAL1	Crystal 1 input
XTAL2	Crystal 2 input
RESET	Reset input
SS	Software stop input
INT	Interrupt input
EA	External access input
RD	Read output
PSEN	Program store enable output
WR	Write output
ALE	Address latch enable output
DB0-DB7	Bidirectional data bus
VSS	Ground
P20-P27	Quasi-bidirectional port 2
PROG	Program output
VDD	Oscillator control voltage
P10-P17	Quasi-bidirectional port 1
T1	Test 1 input
VCC	Primary power supply
NC	No connection

Pin Functions

XTAL1, XTAL2 [Crystals 1, 2]

XTAL1 and XTAL2 are the crystal inputs for the internal clock oscillator. XTAL1 is also used as an input for external clock signals.

T0 [Test 0]

The JT0 and JNT0 instructions test the level of T0 and, if it is high, the program address jumps to the specified address. T0 becomes a clock output when the ENT0 CLK instruction is executed.

T1 [Test 1]

The JT1 and JNT1 instructions test the level of T1 and, if it is high, the program address jumps to the specified address. T1 becomes an internal counter input when the STRT CNT instruction is executed.

RESET [Reset]

RESET initializes the processor and is also used to verify the internal ROM. RESET determines the oscillation stabilizing time during the release of STOP mode. The RESET pulse width requires at least 5 machine cycles when the supply voltage is within specifications and the oscillation frequency is stable.

\overline{SS} [Single Step]

\overline{SS} causes the processor to execute the program one step at a time.

\overline{INT} [Interrupt]

\overline{INT} starts an interrupt if interrupts are enabled. A reset disables an interrupt. \overline{INT} can be tested with the JNI instruction and, depending on the results, a jump to the specified address can occur.

EA [External Access]

EA disables internal program memory and fetches and accesses external program memory. EA is used for system testing and debugging.

\overline{RD} [Read]

\overline{RD} enables a data read from external memory.

\overline{WR} [Write]

\overline{WR} enables a data write to external memory.

\overline{PSEN} [Program Store Enable]

\overline{PSEN} fetches instructions only from external program memory.

ALE [Address Latch Enable]

ALE occurs at each cycle. The falling edge of ALE addresses external data memory or external program memory. ALE can also be used as a clock output.

DB₀-DB₇ [Data Bus]

DB₀-DB₇ is a bidirectional port, which reads and writes data using \overline{RD} and \overline{WR} for latching. During an external program memory fetch, DB₀-DB₇ output the low-order eight bits of the memory address. \overline{PSEN} fetches the instruction. DB₀-DB₇ also output the address of an external data memory fetch. The addressed data is read and written by \overline{RD} and \overline{WR} .

P1₀-P1₇ [Port 1]

P1₀-P1₇ is an 8-bit quasi-bidirectional port.

P2₀-P2₇ [Port 2]

P2₀-P2₇ is an 8-bit quasi-bidirectional port. P2₀-P2₃ output the high-order four bits of the address during an external program memory fetch. P2₀-P2₃ also function as a 4-bit I/O bus for the μPD82C43 I/O port expander.

PROG [Program Pulse]

PROG is used as an output pulse during a fetch when interfacing with the μPD82C43 I/O port expander.

V_{DD} [Oscillator Control Voltage]

V_{DD} stops and starts the oscillator in STOP mode. STOP mode is enabled by forcing V_{DD} low during a rest.

V_{CC} [Primary Power Supply]

V_{CC} is the primary power supply. V_{CC} must be between +2.5 V and +6.0 V for normal operation. In STOP mode, V_{CC} must be at least +2.0 V to ensure data retention.

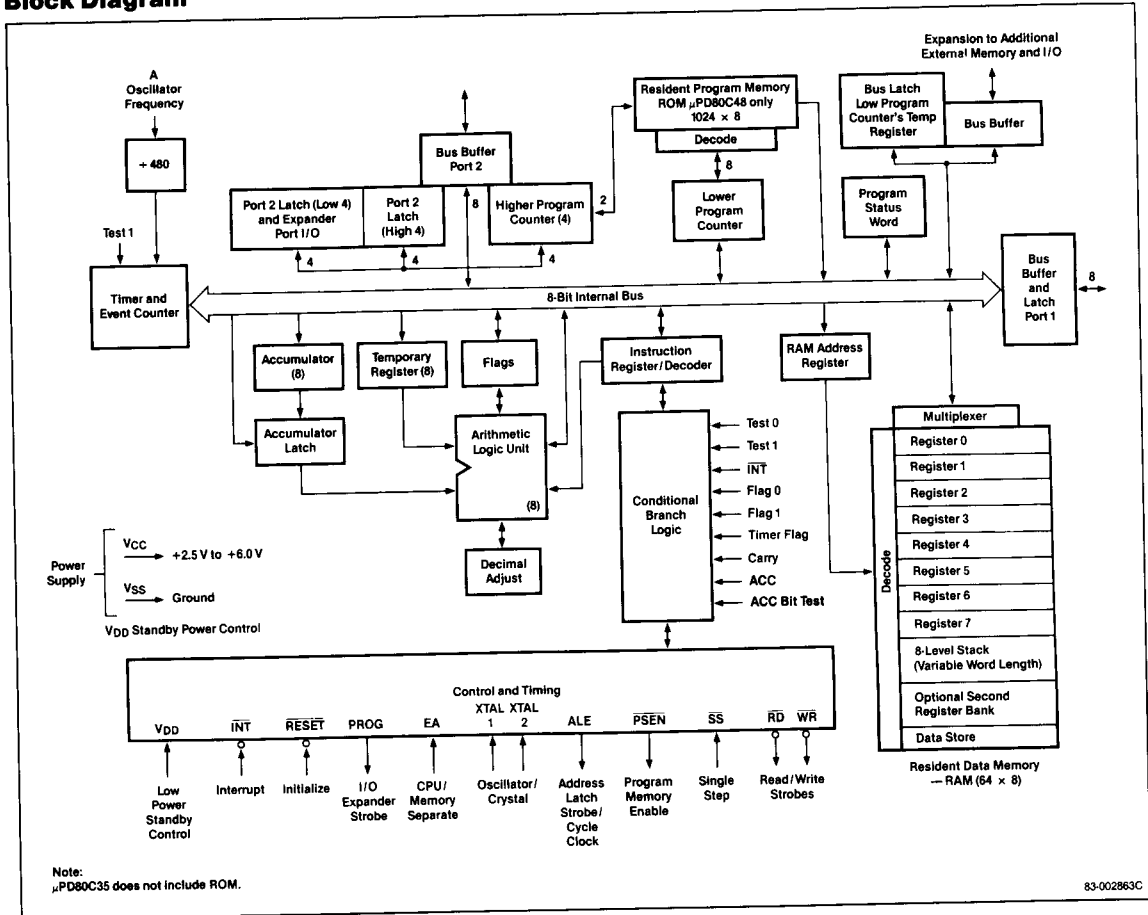
V_{SS} [Ground]

V_{SS} is ground potential.

NC [No Connection]

NC is no connection.

Block Diagram



Absolute Maximum Ratings

$T_A = 25^\circ\text{C}$

Power supply voltage, V_{CC}	$V_{SS} - 0.3$ to $+10$ V
Input voltage, V_{IN}	$V_{SS} - 0.3$ to $V_{CC} + 0.3$ V
Output voltage, V_O	$V_{SS} - 0.3$ to $V_{CC} + 0.3$ V
Operating temperature, T_{OP}	-40°C to $+85^\circ\text{C}$
Storage temperature, T_{STG}	-65°C to $+150^\circ\text{C}$

Comment: Exposing the device to stresses above those listed in Absolute Maximum Ratings could cause permanent damage. The device is not meant to be operated under conditions outside the limits described in the operational sections of the specification. Exposure to absolute maximum rating conditions for extended periods may affect device reliability.

DC Characteristics

Standard Voltage Range

$T_A = -40^\circ\text{C}$ to $+85^\circ\text{C}$, $V_{CC} = +5\text{V} \pm 10\%$, $V_{SS} = 0\text{V}$

Parameter	Symbol	Limits			Unit	Test Conditions
		Min	Typ	Max		
Input voltage low	V_{IL}	-0.3		+0.8	V	
Input voltage high	V_{IH}	$V_{CC} - 2$		V_{CC}	V	Except XTAL1, XTAL2, RESET
	V_{IH1}	$V_{CC} - 1$		V_{CC}	V	RESET, XTAL1, XTAL2
Output voltage low	V_{OL}			+0.45	V	$I_{OL} = 2.0\text{ mA}$
Output voltage high	V_{OH}	2.4			V	Bus, RD, WR, PSEN, ALE, PROG, TO; $I_{OH} = -100\ \mu\text{A}$
	$V_{OH1}(1)$	2.4			V	$I_{OH} = -5\ \mu\text{A}$ (type 0) port 1, port 2
		2.4			V	$I_{OH} = -50\ \mu\text{A}$ (type 1) port 1, port 2
	V_{OH2}	$V_{CC} - 0.5$			V	All outputs, $I_{OH} = -0.2\ \mu\text{A}$
Input current	$I_{ILP}(1)$	-15	-40		μA	Port 1, port 2; $V_{IN} \leq V_{IL}$ (type 0)
			-500		μA	Port 1, port 2; $V_{IN} \leq V_{IL}$ (type 1)
	I_{ILC}		-40		μA	SS, RESET; $V_{IN} \leq V_{IL}$
Input leakage current	I_{L11}		± 1		μA	T1, INT, V_{CC} ; $V_{SS} \leq V_{IN} \leq V_{CC}$
	I_{L12}		± 3		μA	EA; $V_{SS} \leq V_{IN} \leq V_{CC}$
Output leakage current	I_{LO}		± 1		μA	$V_{SS} < V_O < V_{CC}$. High impedance, bus, TO
Standby current	I_{CC1}	0.4	0.8		mA	Halt mode $t_{CY} = 2.5\ \mu\text{s}$
	I_{CC2}	1	20		μA	Stop mode (Note 2)
Supply current	I_{CC}	4	8		mA	$t_{CY} = 2.5\ \mu\text{s}$
Data retention voltage	V_{CCDR}	2.0			V	Stop mode (V_{DD} , RESET $\leq 0.4\text{ V}$)

Extended Voltage Range

$T_A = -40^\circ\text{C}$ to $+85^\circ\text{C}$, $V_{CC} = +2.5\text{V}$ to $+6.0\text{V}$, $V_{SS} = 0\text{V}$

Parameter	Symbol	Limits			Unit	Test Conditions
		Min	Typ	Max		
Input voltage low	V_{IL}	-0.3		+0.18 V_{CC}	V	
Input voltage high	V_{IH}	0.7 V_{CC}		V_{CC}	V	Except XTAL1, XTAL2
	V_{IH1}	0.8 V_{CC}		V_{CC}	V	XTAL1, XTAL2
Output voltage low	V_{OL}			+0.45	V	$I_{OL} = 1.0\text{ mA}$
Output voltage high	V_{OH}	0.75 V_{CC}			V	Bus, RD, WR, PSEN, ALE, PROG, TO; $I_{OH} = -100\ \mu\text{A}$
	V_{OH1}	0.7 V_{CC}			V	All other outputs; $I_{OH} = -1\ \mu\text{A}$ (type 0) port 1, port 2
		0.7 V_{CC}			V	All other outputs; $I_{OH} = -10\ \mu\text{A}$ (type 1) port 1, port 2
Input current	I_{ILP}		-15 -40		μA	Port 1, port 2; $V_{IN} \leq V_{IL}$ (type 0)
Input leakage current	I_{IL}			-40	μA	SS, RESET; $V_{IN} \leq V_{IL}$
		I_{L11}		± 1	μA	T1, INT, $V_{SS} < V_{IN} < V_{CC}$
	I_{L12}		± 5	μA	EA; $V_{SS} < V_{IN} < V_{CC}$	
Output leakage current	I_{LO}		± 1		μA	$V_{SS} < V_O < V_{CC}$. Bus, TO—high impedance state
Supply current	I_{CC}	0.8	1.6		mA	$V_{CC} = 3\text{V}$, $t_{CY} = 10\ \mu\text{s}$
		6	12		μA	$V_{CC} = 6\text{V}$, $t_{CY} = 25\ \mu\text{s}$
Standby current	I_{CC1}	100	200		μA	Halt mode; $V_{CC} = 3\text{V}$, $t_{CY} = 10\ \mu\text{s}$
		0.6	1.2		mA	$V_{CC} = 6\text{V}$, $t_{CY} = 2.5\ \mu\text{s}$
	I_{CC2}	1	20		μA	Stop mode, $V_{CC} = 3\text{V}$
		1	50		μA	$V_{CC} = 6\text{V}$

Note:

(1) Type 0, 1 for μPD80C48 only.

Type 0 for μPD80C35 only.

(2) Input pin voltage is $V_{IN} \leq V_{IL}$, or $V_{IN} \geq V_{IH}$.

AC Characteristics

Read, Write and Instruction Fetch: External Data and Program Memory

$T_A = -40^{\circ}\text{C}$ to $+85^{\circ}\text{C}$, $V_{CC} = V_{DD} = +5\text{V} \pm 10\%$; $V_{SS} = 0\text{V}$

Parameter	Symbol	Limits				Unit	Test Conditions
		$V_{CC} = +5\text{V} \pm 10\%$		$V_{CC} = 2.5\text{V to }6.0\text{V}$			
		Min	Max	Min	Max		
ALE pulse width	t_{LL}	400		2160		ns	
Address setup before ALE	t_{AL}	120		1620		ns	
Address hold from ALE	t_{LA}	80		330		ns	(Note 1)
Control pulse width (RD, WR, PSEN)	t_{CC}	700		3700		ns	
Data setup before WR	t_{DW}	500		3500		ns	
Data hold after WR	t_{WD}	120		370		ns	(Note 2)
Cycle time	t_{CY}	2.5	150	10	150	μs	6 MHz XTAL
Data hold	t_{DR}	0	200	0	950	ns	
PSEN, RD to data in	t_{RD}		500		2750	ns	
Address setup before WR	t_{AW}	230		3230		ns	(Note 1)
Address setup before data in	t_{AD}		950		5450		
Address float to RD, PSEN	t_{AFC}	0		500		ns	
Control pulse to ALE	t_{CA}	10		10		ns	

Bus Timing Requirements (Note 1)

Symbol	Timing Formula	Min/Max	Unit
t_{LL}	$(7/30) t_{CY} - 170$	Min	ns
t_{AL}	$(1/5) t_{CY} - 380$	Min	ns
t_{LA}	$(1/30) t_{CY}$	Min	ns
t_{CC}	$(2/5) t_{CY} - 300$	Min	ns
t_{DW}	$(2/5) t_{CY} - 500$	Min	ns
t_{WD}	$(1/30) t_{CY} + 40$	Min	ns
t_{DR}	$(1/10) t_{CY} - 50$	Max	ns
t_{RD}	$(3/10) t_{CY} - 250$	Max	ns
t_{AW}	$(2/5) t_{CY} - 770$	Min	ns
t_{AD}	$(3/5) t_{CY} - 550$	Max	ns
t_{AFC}	$(1/15) t_{CY} - 165$	Min	ns

Port 2 Timing

$T_A = -40^{\circ}\text{C}$ to $+85^{\circ}\text{C}$, $V_{CC} = V_{DD} = +5\text{V} \pm 10\%$; $V_{SS} = 0\text{V}$

Parameter	Symbol	Limits				Unit	Test Conditions
		$V_{CC} = +5\text{V} \pm 10\%$		$V_{CC} = 2.5\text{V to }6.0\text{V}$			
		Min	Max	Min	Max		
Port control setup before falling edge of PROG	t_{CP}	110		860		ns	
Port control hold after falling edge of PROG	t_{PC}	0	80	0	200	ns	(Note 4)
PROG to time P2 input must be valid	t_{PR}		810		5310	ns	
Output data setup time	t_{DP}	250		3250		ns	(Note 3)
Output data hold time	t_{PD}	65		820		ns	
Input data hold time	t_{PF}	0	150	0	900	ns	
PROG pulse width	t_{PP}	1200		6450		ns	
Port 2 I/O data setup time	t_{PL}	350		2100		ns	
Port 2 I/O data hold time	t_{LP}	150		1400		ns	

Note:

(1) Control outputs: $C_L = 80\text{ pF}$; bus outputs: $C_L = 150\text{ pF}$

(2) $C_L = 20\text{ pF}$

(3) Control outputs: $C_L = 80\text{ pF}$

(4) Refer to the operating characteristics curves for supply voltage and port control hold.

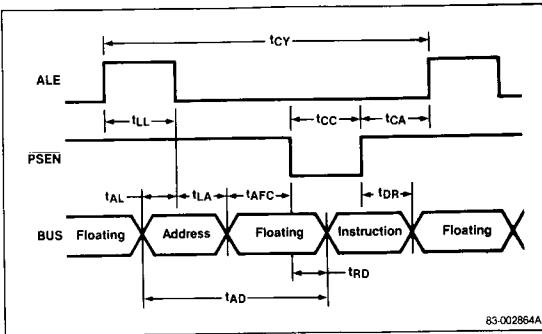
Symbol	Timing Formula	Min/Max	Unit
t_{CP}	$(1/10) t_{CY} - 140$	Min	ns
t_{PC2}	$(4/15) t_{CY} - 200$	Min	ns
t_{PR}	$(3/5) t_{CY} - 690$	Max	ns
t_{PF}	$(1/10) t_{CY} - 100$	Max	ns
t_{DP}	$(2/5) t_{CY} - 750$	Min	ns
t_{PD}	$(1/10) t_{CY} - 180$	Min	ns
t_{PP}	$(7/10) t_{CY} - 550$	Min	ns
t_{PL}	$(7/30) t_{CY} - 230$	Min	ns
t_{LP}	$(1/6) t_{CY} - 265$	Min	ns

Note:

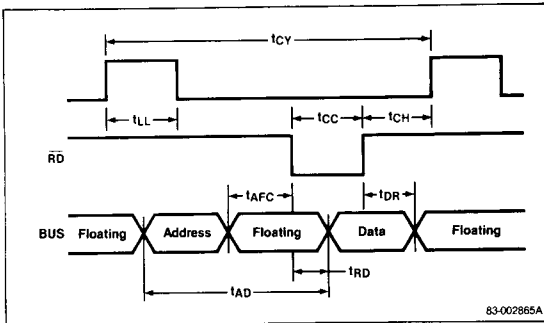
(1) Unlisted parameters are not affected by cycle time.

Timing Waveforms

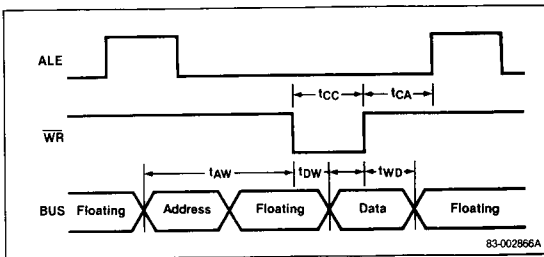
Instruction Fetch From External Memory



Read From External Data Memory

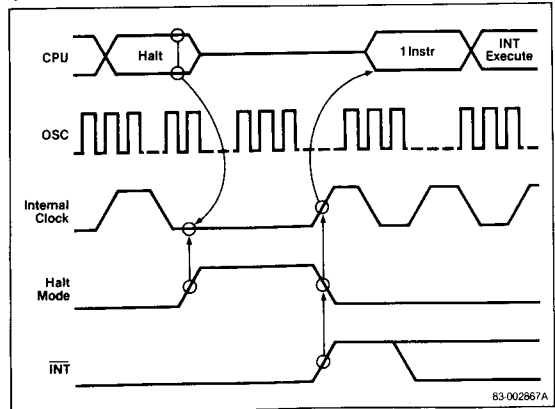


Write to External Memory

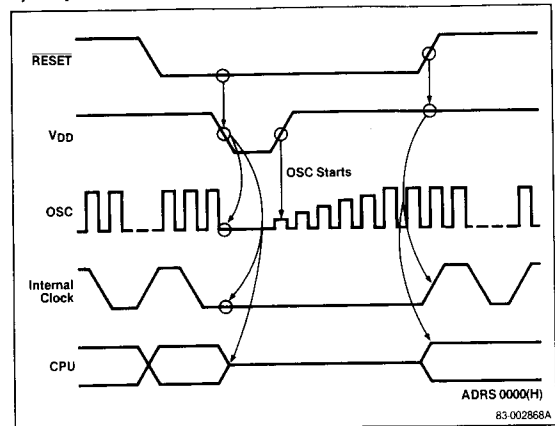


Low Power Standby Operation

1) Halt Mode (When EI)

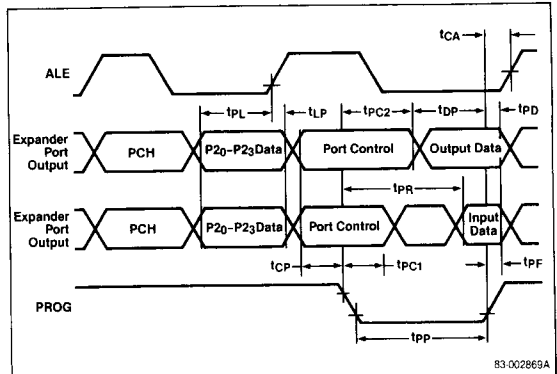


2) Stop Mode



4

Port 2 Timing



Functional Description

Standby Function

Halt Mode

In Halt mode, the oscillator continues to operate, but the internal clock is disabled. The status of all internal logic just prior to execution of the HALT instruction is maintained by the CPU. In Halt mode, power consumption is less than 10 percent of normal μPD80C48 operation and less than 1 percent of normal 8048 operation.

The Halt mode is initiated by execution of the HALT instruction, and is released by either $\overline{\text{INT}}$ or $\overline{\text{RESET}}$ input.

INT Input. When the $\overline{\text{INT}}$ pin receives a low-level input, if interrupts are enabled, the internal clock is restarted and the interrupt is executed after the first or second instruction following the HALT instruction. However, if interrupts are disabled, program operation is resumed from the next address following the HALT instruction. The first instruction following a HALT instruction should be a NOP instruction to ensure proper program execution.

If the Halt mode is released when interrupts are enabled, the interrupt service routine is usually executed after the first or second instruction following the release of Halt mode. However, if either a timer or external interrupt is accepted within one machine cycle prior to a HALT instruction, the corresponding timer or external interrupt service routine is executed immediately following the release of Halt mode. It is important to note this sequence of execution when considering interrupt service routine execution following a HALT instruction.

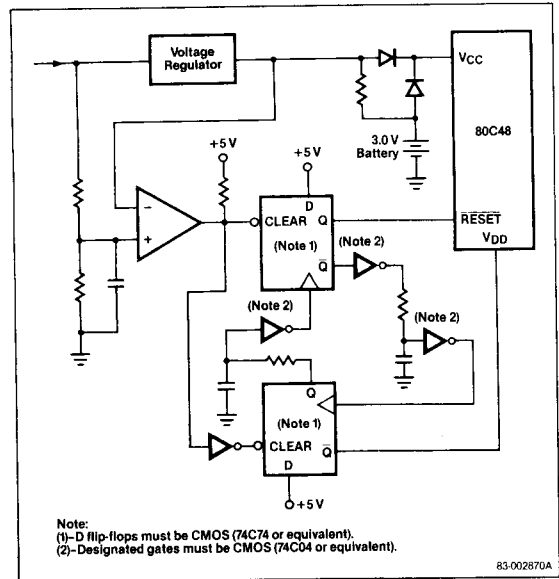
RESET Input. When a low-level input is received by the $\overline{\text{RESET}}$ pin, Halt mode is released and the normal reset operation is activated, restarting program operation from address 0.

Stop Mode

In Stop mode, the oscillator is deactivated and only the contents of RAM are maintained. The operation status of the μPD80C35/μPD80C48 resembles that of a reset condition. Because only the contents of RAM are maintained, Stop mode provides even lower power consumption than Halt mode, only requiring a minimum V_{CC} as low as +2 V.

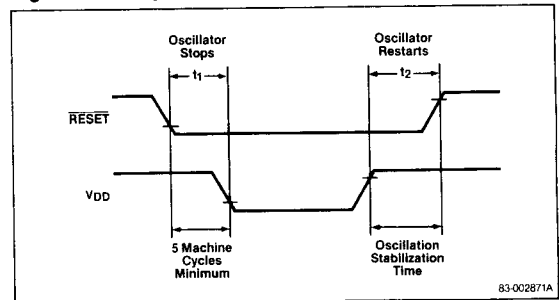
Stop mode is initiated by setting V_{DD} to low when $\overline{\text{RESET}}$ is low, to protect the contents of RAM. Stop mode is released by first raising the supply voltage at the V_{CC} pin from standby level to correct operating level and setting V_{DD} to high when $\overline{\text{RESET}}$ is low. After the oscillator has been restarted and the oscillation has stabilized, $\overline{\text{RESET}}$ must be set to high, whereby program operation is started from address 0. Figure 1 shows the Stop mode circuit.

Figure 1. Stop Mode Circuit



Stop Mode Circuit. Since V_{DD} controls the restarting of the oscillator, it is important that V_{DD} be protected from noise interference. The time required to reset the CPU is represented by t_1 (see figure 2), which is a minimum of 5 machine cycles. The reset operation will not be completed in less than 5 machine cycles. In Stop mode, it is important to note that if V_{DD} goes low before 5 machine cycles have elapsed, the CPU will be deactivated and the output of ALE, RD, WR, PSEN, and PROG will not have been stabilized.

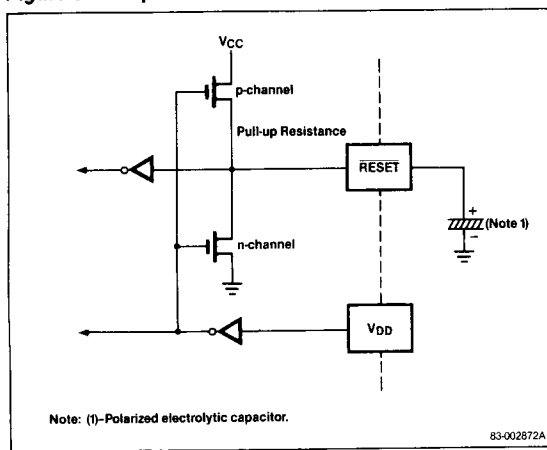
Figure 2. Stop Mode Timing



Oscillation stabilization time is represented by t_2 (see figure 2). When V_{DD} goes high, oscillator operation is re-activated, but it takes time before oscillation can be stabilized. In particular, such high Q resonators as crystals require longer periods to stabilize. Because there is a delay between restarting of the oscillator and oscillator stabilization, t_2 should be long enough to ensure that the oscillator has been fully stabilized.

To facilitate Stop mode control, an external capacitor can be connected to the RESET pin (see figure 3), affecting only t_2 , allowing control of the oscillator stabilization time. When V_{DD} is asserted in Stop mode, the capacitor begins charging, pulling up RESET. When RESET reaches a threshold level equivalent to a logic 1, Stop mode is released. The time it takes RESET to reach the threshold level of logic 1 determines the oscillator stabilization time, which is a function of the capacitance and pull-up resistance values.

Figure 3. Stop Mode Control Circuit

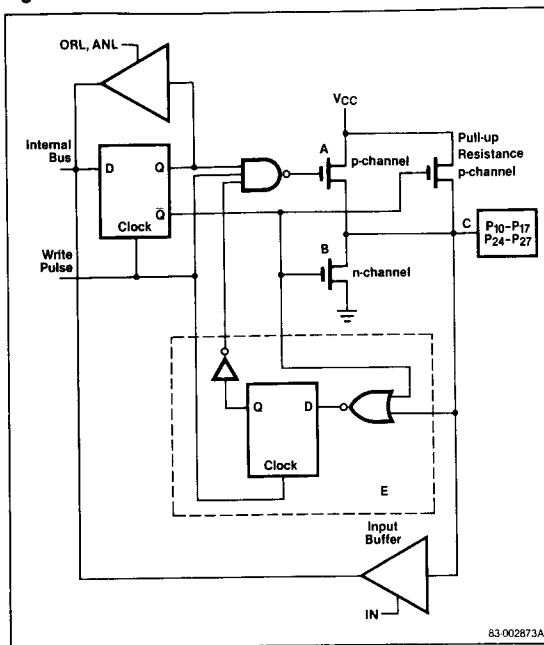


Port Operation

A port-loading option is offered at the time of ordering the mask. Individual source current requirements for Port 1 and the upper and lower halves of Port 2 may be factory set at either $-5\mu A$ or $-50\mu A$ (see Port-Loading Options table). The $-50\mu A$ option is required for interfacing with TTL/NMOS devices. The $-5\mu A$ option is recommended for interfacing to other CMOS devices. The CMOS option results in lower power consumption and greater noise immunity.

Port lines P10-P17 and P24-P27 include a protective circuit "E" to prevent a signal conflict at the port. The circuit prevents a logic 1 from being written to a line that is being pulled down externally (see figure 4, Port Protection Circuit E diagram). When a logic 0 is detected at the port line and a logic 1 is written from the bus, the NOR gate sends a logic 1 to the D input of the flip-flop. The output is inverted, forcing the NAND gate to send a high-level output. This turns off transistor A, preventing the output of a logic 1 from the port.

Figure 4. Port Protection Circuit E



Port-Loading Options

$I_{OH}(\text{min}) V_{CC} = V_{DD} = 5V \pm 10\%$; $V_{OH} = 2.4V(\text{min})$

Option Selected	P1 ₀ -P1 ₇	P2 ₀ -P2 ₃	P2 ₄ -P2 ₇	Unit
A	-5	-5	-5	μA
B	-50	-5	-5	μA
C	-5	-50	-5	μA
D	-50	-50	-5	μA
E	-5	-5	-50	μA
F	-50	-5	-50	μA
G	-5	-50	-50	μA
H	-50	-50	-50	μA

Note:

- (1) The selection of $I_{OH} = -5\mu A$ will result in a port source current of $I_{ILP} = -40\mu A$ max when used as input port.
- (2) The selection of $I_{OH} = -50\mu A$ will result in a port source current of $I_{ILP} = -500\mu A$ max when used as input port.

Oscillator Operation

The oscillator maintains an internal frequency for clock generation and controls all system timing cycles. The oscillation is initiated by either a self-generating external resonator or external clock input. The oscillator acts as a high-gain amplifier which produces square-wave pulses at the frequency determined by the resonator or clock source to which it is connected.

To obtain the oscillation frequency, an external LC network (figure 5) may be connected to the oscillator, or, a ceramic or crystal external resonator (figure 6) may be connected.

Figure 5. LC Frequency Reference Circuit

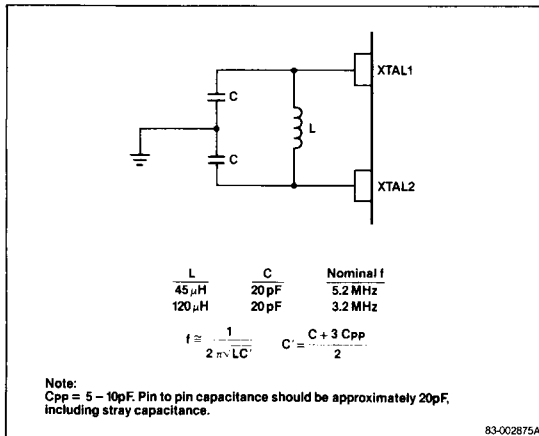
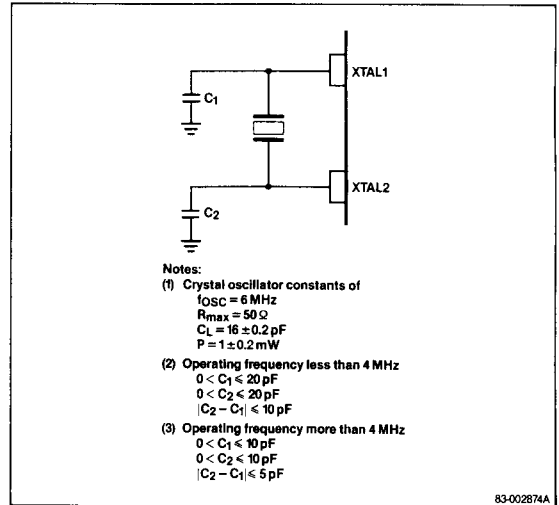


Figure 6. Crystal Frequency Reference Circuit



As the crystal frequency is lowered, there is an equivalent reduction in series resistance (R). As the temperature of the crystal is lowered, R is increased. Due to this relationship, it becomes difficult to stabilize oscillation when there is low power supply voltage. When V_{CC} is less than 2.7 V and the oscillator frequency is 3 MHz or less, T_A (ambient temperature) should not be less than -10°C .

Figures 7 and 8 show the ceramic resonator and external clock frequency reference circuits. Figure 9 shows the μPD80C35/μPD80C48 major I/O signals.

Figure 7. Ceramic Resonator Frequency Reference Circuit

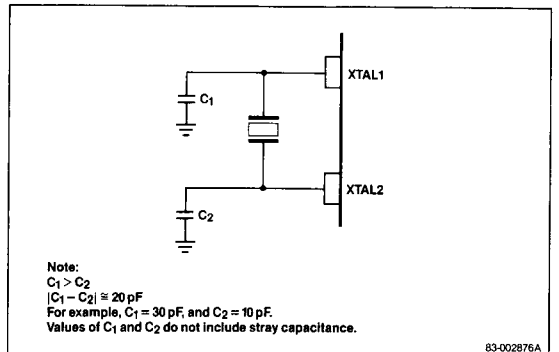


Figure 8. External Clock Frequency Reference Circuit

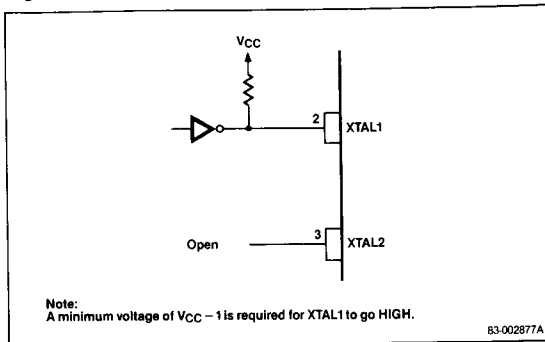
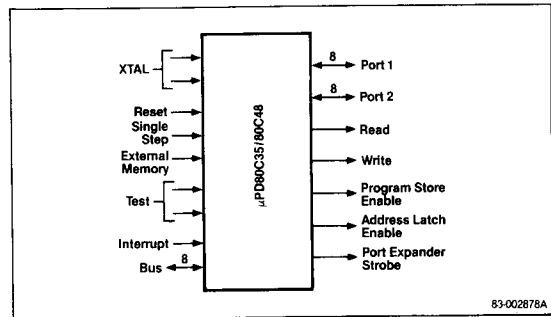


Figure 9. Major Input and Output Signals



Instruction Set

Instruction Set Symbol Definitions

Symbol	Description
A	Accumulator
AC	Auxiliary carry flag
addr	Program or data memory address (a_0 - a_7) or (a_0 - a_{10})
b	Accumulator bit ($b = 0-7$)
BS	Bank switch
BUS	Bus
C	Carry flag
CLK	Clock
CNT	Counter
data	8-bit binary data (d_0 - d_7)
DBF	Memory bank flip-flop
F0, F1	Flag 0, flag 1
INT	Interrupt pin
n	Indicates the hex number of the specified register or port
PC	Program counter
Pp	Port 1, port 2, or ports 4-7 ($p = 1, 2$ or 4-7)
PSW	Program status word
Rr	Register ($r = 0-7$)

Symbol	Description
SP	Stack pointer
T	Timer
TF	Timer flag
T0, T1	Test 0, test 1 pin
#	Prefix for immediate data
@	Prefix for indirect address
x	Indicates the hex number corresponding to the accumulator bit or page number specified in the operand
(x)	Contents of RAM
((x))	Contents of memory location addressed by (x)
←	Transfer direction, result
AND	Logical product (logical AND)
OR	Logical sum (logical OR)
EXOR	Exclusive-OR
—	Complement

Instruction Set (cont)

Mnemonic	Function	Description	Operation Code										Cycles	Bytes	
			D7	D6	D5	D4	D3	D2	D1	D0					
Accumulator															
ADD A, # data	(A) ← (A) + data	Adds immediate data d ₀ -d ₇ to the accumulator. Sets or clears both carry flags. (Note 2)	03	0	0	0	0	0	0	0	0	1	1	2	2
ADD A, Rr	(A) ← (A) + (Rr) r = 0-7	Adds the contents of register Rr to the accumulator. Sets or clears both carry flags. (Note 2)	6n(4)	0	1	1	0	1	r	r	r	r	r	1	1
ADD A, @Rr	(A) ← (A) + ((Rr)) r = 0-1	Adds the contents of the internal data memory location specified by bits 0-5 of register Rr to the accumulator. Sets or clears both carry flags. (Note 2)	6n(4)	0	1	1	0	0	0	0	0	0	r	1	1
ADDC A, # data	(A) ← (A) + (C) + data	Adds, with carry, immediate data d ₀ -d ₇ to the accumulator. Sets or clears both carry flags. (Note 2)	13	0	0	0	0	1	0	0	1	1	1	2	2
ADDC A, Rr	(A) ← (A) + (C) + (Rr) r = 0-7	Adds, with carry, the contents of register Rr to the accumulator. Sets or clears both carry flags. (Note 2)	7n(4)	0	1	1	1	1	1	r	r	r	r	1	1
ADDC A, @Rr	(A) ← (A) + (C) + ((Rr)) r = 0-1	Adds, with carry, the contents of the internal data memory location specified by bits 0-5 of register Rr, to the accumulator. Sets or clears both carry flags. (Note 2)	7n(4)	0	1	1	1	0	0	0	0	0	r	1	1
ANL A, # data	(A) ← (A) AND data	Takes the logical product (logical AND) of immediate data d ₀ -d ₇ and the contents of the accumulator, and stores the result in the accumulator.	53	0	1	0	1	0	0	1	1	1	d ₀	2	2
ANL A, Rr	(A) ← (A) AND (Rr) r = 0-7	Takes the logical product (logical AND) of the contents of register Rr and the accumulator, and stores the result in the accumulator.	5n(4)	0	1	0	1	1	r	r	r	r	r	1	1
ANL A, @Rr	(A) ← (A) AND ((Rr)) r = 0-1	Takes the logical product (logical AND) of the contents of the internal data memory location specified by bits 0-5 of register Rr, and the accumulator, and stores the result in the accumulator.	5n(4)	0	1	0	1	0	0	0	0	0	r	1	1
CPL A	(A) ← \overline{A}	Takes the complement of the contents of the accumulator.	37	0	0	1	1	0	1	1	1	1	1	1	1
CLR A	(A) ← 0	Clears the contents of the accumulator.	27	0	0	1	0	0	1	1	1	1	1	1	1
DA A		Converts the contents of the accumulator to BCD. Sets or clears the carry flags. When the lower 4 bits (A ₀ -A ₃) are greater than 9, or if the auxiliary carry flag has been set, adds 6 to (A ₀ -A ₃). When the upper 4 bits (A ₄ -A ₇) are greater than 9 or if the carry flag (C) has been set, adds 6 to (A ₄ -A ₇). If an overflow occurs at this point, C is set. (Note 2)	57	0	1	0	1	0	1	0	1	1	1	1	1
DEC A	(A) ← (A) - 1	Decrements the contents of the accumulator by 1.	07	0	0	0	0	0	0	1	1	1	1	1	1
INC A	(A) ← (A) + 1	Increments the contents of the accumulator by 1.	17	0	0	0	1	0	1	0	1	1	1	1	1
ORL A, # data	(A) ← (A) OR data	Takes the logical sum (logical OR) of immediate data d ₀ -d ₇ and the contents of the accumulator, and stores the result in the accumulator.	43	0	1	0	0	0	0	1	1	1	d ₀	2	2
ORL A, Rr	(A) ← (A) OR (Rr) r = 0-7	Takes the logical sum (logical OR) of register Rr and the contents of the accumulator, and stores the result in the accumulator.	4n(4)	0	1	0	0	1	r	r	r	r	r	1	1

Instruction Set (cont)

Mnemonic	Function	Description	Hex Code																Cycles	Bytes
			D7	D6	D5	D4	D3	D2	D1	D0	Operation Code									
Accumulator (cont)																				
ORL A, @ Rr	$(A) \leftarrow (A) \text{ OR } ((Rr))$ $r = 0-1$	Takes the logical sum (logical OR) of the contents of the internal data memory location specified by bits 0-5 in register Rr, and the contents of the accumulator, and stores the result in the accumulator.	4n(4)	0	1	0	0	0	0	0	0	0	0	0	0	0	r	1	1	
RLA	$(AN + 1) \leftarrow (AN)$ $(A_0) \leftarrow (A_7) \text{ N} = 0-6$	Rotates the contents of the accumulator one bit to the left. The MSB is rotated into the LSB.	E7	1	1	1	0	0	0	1	1	1	1	1	1	1	1	1		
RLCA	$(AN + 1) \leftarrow (AN)$ $(A_0) \leftarrow (C)$ $(C) \leftarrow (A_7)$	Rotates the contents of the accumulator one bit to the left through carry.	F7	1	1	1	1	0	1	1	1	1	1	1	1	1	1			
RRA	$(AN) \leftarrow (AN + 1)$; $N = 0-6$ $(A_7) \leftarrow (A_0)$	Rotates the contents of the accumulator one bit to the right. The LSB is rotated into the MSB.	77	0	1	1	1	0	1	1	1	1	1	1	1	1				
RRC A	$(AN) \leftarrow (AN + 1)$; $N = 0-6$ $(A_7) \leftarrow (C)$ $(C) \leftarrow (A_0)$	Rotates the contents of the accumulator one bit to the right through carry.	67	0	1	1	0	0	1	1	1	1	1	1	1					
SWAP A	$(A_4-A_7) \leftrightarrow (A_0-A_3)$	Exchanges the contents of the lower 4 bits of the accumulator with the upper 4 bits of the accumulator.	47	0	1	0	0	0	1	1	1	1	1	1	1					
XRL A, # data	$(A) \leftarrow (A) \text{ XOR data}$	Takes the exclusive OR of immediate data d_0-d_7 and the contents of the accumulator, and stores the result in the accumulator.	D3	1	1	0	1	0	0	1	1	1	2	2						
XRL A, Rr	$(A) \leftarrow (A) \text{ XOR } (Rr)$ $r = 0-7$	Takes the exclusive OR of the contents of register Rr and the accumulator, and stores the result in the accumulator.	Dn(4)	1	1	0	1	1	1	1	1	1	1	1						
XRL A, @ Rr	$(A) \leftarrow (A) \text{ XOR } ((Rr))$ $r = 0-1$	Takes the exclusive OR of the contents of the location in data memory specified by bits 0-5 in register Rr, and the accumulator, and stores the result in the accumulator.	Dn(4)	1	1	0	1	0	0	0	0	0	1	1						
Branch																				
DJNZ Rr, addr	$(Rr) \leftarrow (Rr) - 1$; $r = 0-7$ if $(Rr) \neq 0$: $(PC_0-PC_7) \leftarrow \text{addr}$	Decrements the contents of register Rr by 1, and if the result is not equal to 0, jumps to the address indicated by a_0-a_7 .	En	1	1	1	0	1	1	1	1	1	2	2						
JBB addr	$(PC_0-PC_7) \leftarrow \text{addr}$ if $b = 1$ $(PC) = (PC) + 2$ if $b = 0$	Jumps to the address specified by a_0-a_7 if the bit in the accumulator specified by b_0-b_2 is set.	x2(6)	b ₂ a ₇	b ₁ a ₆	b ₀ a ₅	1	0	0	1	0	1	0	2	2					

Instruction Set (cont)

Mnemonic	Function	Description	Hex Code	Operation Code								Cycles	Bytes	
				D7	D6	D5	D4	D3	D2	D1	D0			
Branch (cont)														
JC addr	(PC ₀ -PC ₇) ← addr if C = 1 (PC) ← (PC) + 2 if C = 0	Jumps to the address specified by a ₀ -a ₇ if the carry flag is set.	F6	1	1	1	1	0	1	0	1	0	2	2
JFO addr	(PC ₀ -PC ₇) ← addr if FO = 1 (PC) ← (PC) + 2 if FO = 0	Jumps to the address specified by a ₀ -a ₇ if FO is set.	B6	1	0	1	1	0	1	0	1	0	2	2
JF1 addr	(PC ₀ -PC ₇) ← addr if F1 = 1 (PC) ← (PC) + 2 if F1 = 0	Jumps to the address specified by a ₀ -a ₇ if F1 is set.	76	0	1	1	1	0	1	0	1	0	2	2
JMP addr	(PC ₀ -PC ₇) ← (addr ₀ -addr ₇) (PC ₀ -PC ₇) ← (addr ₀ -addr ₇) (PC ₁₁) ← DBF	Jumps directly to the address specified by a ₀ -a ₇ and the DBF.	x4(6)	a ₁₀	a ₉	a ₈	0	0	1	0	0	0	2	2
JMPP @A	(PC ₀ -PC ₇) ← ((A))	Replaces the lower 8 bits of the program counter with the contents of program memory specified by the contents of the accumulator, producing a jump to the specified address within the current page.	B3	1	0	1	1	0	0	1	1	0	2	1
JNC addr	(PC ₀ -PC ₇) ← addr if C = 0 (PC) ← (PC) + 2 if C = 1	Jumps to the address specified by a ₀ -a ₇ if the carry flag is not set.	E6	1	1	1	0	0	1	1	0	0	2	2
JNI addr	(PC ₀ -PC ₇) ← addr if I = 0 (PC) ← (PC) + 2 if I = 1	Jumps to the address specified by a ₀ -a ₇ if the interrupt flag is not set.	86	1	0	0	0	0	1	1	0	0	2	2
JNTO addr	(PC ₀ -PC ₇) ← addr if TO = 0 (PC) ← (PC) + 2 if TO = 1	Jumps to the address specified by a ₀ -a ₇ if test 0 is low.	26	0	0	1	0	0	1	1	0	0	2	2
JNT1 addr	(PC ₀ -PC ₇) ← addr if T1 = 0 (PC) ← (PC) + 2 if T1 = 1	Jumps to the address specified by a ₀ -a ₇ if test 1 is low.	46	0	1	0	0	0	1	1	0	0	2	2
JNZ addr	(PC ₀ -PC ₇) ← addr if A ≠ 0 (PC) ← (PC) + 2 if A = 0	Jumps to the address specified by a ₀ -a ₇ if the contents of the accumulator are not equal to 0.	96	1	0	0	1	0	1	1	0	0	2	2
JTF addr	(PC ₀ -PC ₇) ← addr if TF = 1 (PC) ← (PC) + 2 if TF = 0	Jumps to the address specified by a ₀ -a ₇ if the timer flag is set. The timer flag is cleared after the instruction is executed.	16	0	0	0	1	0	1	1	0	0	2	2
JTO addr	(PC ₀ -PC ₇) ← addr if TO = 1 (PC) ← (PC) + 2 if TO = 0	Jumps to the address specified by a ₀ -a ₇ if test 0 is high.	36	0	0	1	1	0	1	1	0	0	2	2
JT1 addr	(PC ₀ -PC ₇) ← addr if T1 = 1 (PC) ← (PC) + 2 if T1 = 0	Jumps to the address specified by a ₀ -a ₇ if test 1 is high.	56	0	1	0	1	0	1	1	0	0	2	2
JZ	(PC ₀ -PC ₇) ← addr if A = 0 (PC) ← (PC) + 2 if A = 1	Jump to the address specified by a ₀ -a ₇ if the contents of the accumulator are equal to 0.	C6	1	1	0	0	0	1	1	0	0	2	2

Instruction Set (cont)

Mnemonic	Function	Description	Operation Code										Cycles	Bytes		
			Hex Code	D7	D6	D5	D4	D3	D2	D1	D0					
Control																
ENI		Enables external interrupts. When external interrupts are enabled, a low-level input to the INT pin causes the processor to vector to the interrupt service routine.	05	0	0	0	0	0	0	0	0	0	0	0	1	1
DISI		Disables external interrupts. When external interrupts are disabled, low-level inputs to the INT pin have no effect on program execution.	15	0	0	0	0	1	0	1	0	1	0	1	1	1
ENTO CLK		Enables clock output to pin T0.	75	0	1	1	1	1	0	1	0	1	0	1	1	1
SEL MBO	(DBF) ← 0	Clears the memory bank flip-flop, selecting program memory bank 0 (program memory addresses 0-2047 ₍₁₀₎). Clears PC ₁₁ after the next JMP or CALL instruction.	E5	1	1	1	0	0	1	0	1	0	1	1	1	1
SEL MB1	(DBF) ← 1	Sets the memory bank flip-flop, selecting program memory bank 1 (program memory addresses 2048-4095 ₍₁₀₎). Sets PC ₁₁ after the next JMP or CALL instruction.	F5	1	1	1	1	0	1	0	1	0	1	1	1	1
SEL RBO	(BS) ← 0	Selects data memory bank 0 by clearing bit 4 (bank switch) of the PSW. Specifies data memory addresses 0-7 ₍₁₀₎ as registers 0-7 of data memory bank 0.	C5	1	1	0	0	0	1	0	1	0	1	1	1	1
SEL RB1	(BS) ← 1	Selects data memory bank 1 by setting bit 4 (bank switch) of the PSW. Specifies data memory 24-31 ₍₁₀₎ as registers 0-7 of data memory bank 1.	D5	1	1	0	1	0	1	0	1	0	1	1	1	1
HALT		Initiates halt mode.	01	0	0	0	0	0	0	0	0	0	0	1	1	1
Data Moves																
MOV A, # data	(A) ← data	Moves immediate data d ₀ -d ₇ into the accumulator.	23	0	0	1	0	0	0	0	1	1	1	d ₀	2	2
MOV A, Rr	(A) ← (Rr); r = 0-7	Moves the contents of register Rr into the accumulator.	Fn(4)	1	1	1	1	1	1	r	r	r	r	r	1	1
MOV A, @ Rr	(A) ← ((Rr)); r = 0-1	Moves the contents of internal data memory specified by bits 0-5 in register Rr into the accumulator.	Fn(4)	1	1	1	1	0	0	0	0	0	r	r	1	1
MOV A, PSW	(A) ← (PSW)	Moves the contents of the program status word into the accumulator.	C7	1	1	0	0	0	0	1	1	1	1	1	1	1
MOV Rr, # data	(Rr) ← data; r = 0-7	Moves immediate data d ₀ -d ₇ into register Rr.	Bn(4)	1	0	1	1	1	1	r	r	r	r	d ₀	2	2
MOV Rr, A	(Rr) ← (A); r = 0-7	Moves the contents of the accumulator into register Rr.	An(4)	1	0	1	0	1	0	1	r	r	r	r	1	1
MOV @ Rr, A	((Rr)) ← (A); r = 0-1	Moves the contents of the accumulator into the data memory location specified by bits 0-5 in register Rr.	An(4)	1	0	1	0	0	0	0	0	0	r	r	1	1
MOV @ Rr, # data	((Rr)) ← data; r = 0-1	Moves immediate data d ₀ -d ₇ into the data memory location specified by bits 0-5 in register Rr.	Bn(4)	1	0	1	1	0	0	0	0	0	r	d ₀	2	2

Instruction Set (cont)

Mnemonic	Function	Description	Operation Code															
			Hex Code	D ₇	D ₆	D ₅	D ₄	D ₃	D ₂	D ₁	D ₀	Cycles	Bytes					
Data Moves (cont)																		
MOV PSW, A	(PSW) ← (A)	Moves the contents of the accumulator into the program status word.	D7	1	1	0	1	0	1	1	1	1	1	1	1	1		
MOV A, @A	(PC ₀ -PC ₇) ← (A) (A) ← ((PC))	Moves the contents of the program memory location specified by PC ₃ -PC ₁₁ concatenated with the contents of the accumulator, into the accumulator.	A3	1	0	1	0	0	0	1	1	1	2	1				
MOV P3 A, @A	(PC ₀ -PC ₇) ← (A) (PC ₈ -PC ₁₁) ← 001 (A) ← ((PC))	Moves the contents of the program memory location specified by 0011(PC ₈ -PC ₁₁ , page 3 of program memory bank 0) and the contents of the accumulator, into the accumulator.	E3	1	1	1	0	0	0	1	1	2	1					
MOVX A, @R	(A) ← ((Rr)); r = 0-1	Moves the contents of the external data memory location specified by register Rr, into the accumulator.	8n(4)	1	0	0	0	0	0	0	r	2	1					
MOVX @R, A	((Rr)) ← (A); r = 0-1	Moves the contents of the accumulator into the external data memory location specified by register Rr.	9n(4)	1	0	0	1	0	0	0	r	2	1					
XCH A, Rr	(A) ↔ (Rr); r = 0-7	Exchanges the contents of the accumulator and register Rr.	2n(4)	0	0	1	0	1	r	r	r	1	1					
XCH A, @Rr	(A) ↔ ((Rr)); r = 0-1	Exchanges the contents of the accumulator and the contents of the data memory location specified by bits 0-5 in register Rr.	2n(4)	0	0	1	0	0	0	0	r	1	1					
XCHD A, @Rr	(A ₀ -A ₃) ↔ ((Rr)) ₀₋₃ (Rr) ↔ (A ₄ -A ₇)	Exchanges the contents of the lower 4 bits of the accumulator with the contents of the lower 4 bits of the internal data memory location specified by bits 0-5 in register Rr.	3n(4)	0	0	1	1	0	0	0	r	1	1					
Flags																		
CPL C	(C) ← (C̄)	Takes the complement of the carry bit.	A7	1	0	1	0	0	1	1	1	1	1	1				
CPL F0	(F0) ← (F0̄)	Takes the complement of flag 0.	95	1	0	0	1	0	1	0	1	1	1	1				
CPL F1	(F1) ← (F1̄)	Takes the complement of flag 1.	B5	1	0	1	1	0	1	0	1	1	1	1				
CLR C	(C) ← 0	Clears the carry bit.	97	1	0	0	1	0	1	1	1	1	1	1				
CLR F0	(F0) ← 0	Clears flag 0.	85	1	0	0	0	0	1	0	1	1	1	1				
CLR F1	(F1) ← 0	Clears flag 1.	A5	1	0	1	0	0	1	0	1	1	1	1				

Instruction Set (cont)

Mnemonic	Function	Description	Hex Code	Operation Code								Cycles	Bytes
				D7	D6	D5	D4	D3	D2	D1	D0		
Input / Output													
ANL BUS, # data	(bus) ← (bus) AND data	Takes the logical AND of the contents of the bus and immediate data d ₀ -d ₇ , and sends the result to the bus.	98	1	0	0	1	1	0	0	0	0	2
ANL Pp, # data	(Pp) ← (Pp) AND data; p = 1-2	Takes the logical AND of the contents of designated port Pp and immediate data d ₀ -d ₇ , and sends the result to port Pp for output.	9n(5)	1	0	0	1	1	0	0	p	p	2
ANLD Pp, A	(Pp) ← (Pp) AND (A ₀ -A ₃); p = 4-7	Takes the logical AND of the contents of designated port Pp and the lower 4 bits of the accumulator, and sends the result to port Pp for output.	9n(5)	1	0	0	1	1	1	1	p	p	2
IN A, Pp	(A) ← (Pp); p = 1-2	Loads the accumulator with the contents of designated port Pp.	0n(5)	0	0	0	0	1	0	0	p	p	2
INS A, BUS	(A) ← (bus)	Loads the contents of the bus into the accumulator on the rising edge of RD.	08	0	0	0	0	1	0	0	0	0	2
MOVD A, Pp	(A ₀ -A ₃) ← (Pp); p = 4-7 (A ₄ -A ₇) ← 0	Moves the contents of designated port Pp to the lower 4 bits of the accumulator, and clears the upper 4 bits.	0n(5)	0	0	0	0	1	1	1	p	p	2
MOVD Pp, A	(Pp) ← (A ₀ -A ₃); p = 4-7	Moves the lower 4 bits of the accumulator to designated port Pp. The upper 4 bits of the accumulator are not changed.	3n(5)	0	0	1	1	1	1	1	p	p	2
ORL BUS, # data	(bus) ← (bus) OR data	Takes the logical OR of the contents of the bus and immediate data d ₀ -d ₇ , and sends the result to the bus.	88	1	0	0	0	1	0	0	0	0	2
ORLD Pp, A	(Pp) ← (Pp) OR (A ₀ -A ₃); p = 4-7	Takes the logical OR of the contents of designated port Pp and the lower 4 bits of the accumulator, and sends the result to port Pp for output.	8n(5)	1	0	0	0	1	1	1	p	p	2
ORL Pp, # data	(Pp) ← (Pp) OR data; p = 1-2	Takes the logical OR of the contents of designated port Pp and immediate data d ₀ -d ₇ , and sends the result to port Pp for output.	9n(5)	1	0	0	0	1	0	0	p	p	2
OUTL BUS, A	(bus) ← (A)	Latches the contents of the accumulator onto the bus on the rising edge of WR.	02	0	0	0	0	0	0	0	1	0	2
OUTL Pp, A	(Pp) ← (A); p = 1-2	Latches the contents of the accumulator into designated port Pp for output.	3n(5)	0	0	1	1	1	0	0	p	p	2
Registers													
DEC Rr	(Rr) ← (Rr) - 1; r = 0-7	Decrements the contents of register Rr by 1.	Cn(4)	1	1	0	0	1	r	r	r	r	1
INC Rr	(Rr) ← (Rr) + 1; r = 0-7	Increments the contents of register Rr by 1.	1n(4)	0	0	0	1	1	r	r	r	r	1
INC @ Rr	((Rr)) ← ((Rr)) + 1; r = 0-1	Increments by 1 the contents of the data memory location specified by bits 0-5 in register Rr.	1n(4)	0	0	0	1	0	0	0	r	r	1

Instruction Set (cont)

Mnemonic	Function	Description	Operation Code															
			Hex Code	D7	D6	D5	D4	D3	D2	D1	D0	Cycles	Bytes					
Subroutine																		
CALL addr	$((SP)) \leftarrow (PC)$, (PSW_4-PSW_7) $(SP) \leftarrow (SP) + 1$ $(PC_8-PC_{10}) \leftarrow (addr_8-addr_{10})$ $(PC_0-PC_7) \leftarrow (addr_0-addr_7)$ $(PC_{11}) \leftarrow DBF$	Stores the contents of the program counter and the upper 4 bits of the PSW in the address indicated by the stack pointer, and increments the contents of the stack pointer, calling the subroutine specified by address a ₀ -a ₁₀ and the DBF.	x4(6)	a ₁₀	a ₉	a ₈	1	0	1	0	0	0	0	0	0	2	2	
RET	$(SP) \leftarrow (SP) - 1$ $(PC) \leftarrow ((SP))$	Decrements the contents of the stack pointer by 1 and stores, in the program counter, the contents of the location specified by the stack pointer, executing a return from subroutine without restoring the PSW.	83	1	0	0	0	0	0	0	0	1	1	1	1	2	1	
RETR	$(SP) \leftarrow (SP) - 1$ $(PC) \leftarrow ((SP))$ $(PSW_4-PSW_7) \leftarrow ((SP))$	Decrements the contents of the stack pointer by 1 and stores, in the program counter, the contents of the upper 4 bits of the PSW and the contents of the location specified by the stack pointer, executing a return from subroutine with restoration of the PSW.	93	1	0	0	1	0	0	1	0	0	1	1	2	1	1	
Timer / Counter																		
EN TCNTI		Enables internal interrupt of timer / event counter. If an overflow condition occurs, then an interrupt will be generated.	25	0	0	1	0	0	1	0	0	1	0	1	1	1	1	
DIS TCNTI		Disables internal interrupt of timer / event counter.	35	0	0	1	1	0	1	0	1	0	1	0	1	1	1	
MOV A, T	$(A) \leftarrow (T)$	Moves the contents of the timer / counter into the accumulator.	42	0	1	0	0	0	0	0	1	0	1	0	1	1	1	
MOV T, A	$(T) \leftarrow (A)$	Moves the contents of the accumulator into the timer / counter.	62	0	1	1	0	0	0	0	1	0	1	0	1	1	1	
STOP TCNT		Stops the operation of the timer / event counter.	65	0	1	1	0	0	1	0	1	0	1	0	1	1	1	
STRT CNT		Starts the event counter operation of the timer / counter when T1 changes from a low-level input to a high-level input.	45	0	1	0	0	0	0	1	0	1	0	1	1	1	1	
STRT T		Starts the timer operation of the timer / counter. The timer is incremented every 32 machine cycles.	55	0	1	0	1	0	1	0	1	0	1	0	1	1	1	
Miscellaneous																		
NOP		Uses one machine cycle without performing any operation.	00	0	0	0	0	0	0	0	0	0	0	0	0	1	1	

Instruction Set (cont)

Note:

- (1) Binary operation code designations r and p represent encoded values or the lowest-order bit value of specified registers and ports, respectively.
- (2) Execution of the ADD, ADDC, and DA instructions affect the carry flags, which are not shown in the respective function equations. These instructions set the carry flags when there is an overflow in the accumulator (the auxiliary carry flag is set when there is an overflow of bit 3 of the accumulator) and clear the carry flags when there is no overflow. Flags that are specifically addressed by flag instructions are shown in the function equations for those instructions.
- (3) References to addresses and data are specified in byte 1 and/or 2 in the opcode of the corresponding instruction.
- (4) The hex value of n for specific registers is as follows:
 - a) Direct addressing

R0: n = 8	R2: n = A	R4: n = C	R6: n = E
R1: n = 9	R3: n = B	R5: n = D	R7: n = F
 - b) Indirect addressing

@ R0: n = 0	@ R1: n = 1
-------------	-------------
- (5) The hex value of n for specific ports is as follows:

P1: n = 9	P4: n = C	P6: n = E
P2: n = A	P5: n = D	P7: n = F
- (6) The hex value of x for specific accumulator or address bits is as follows:
 - a) JBB instruction

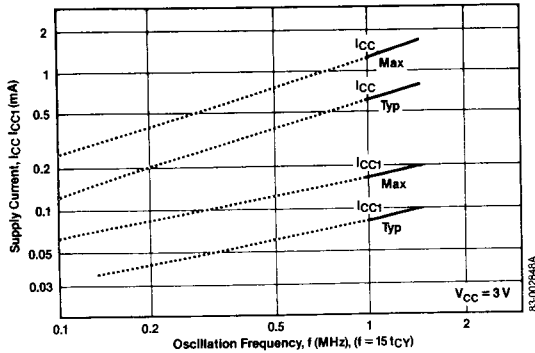
B ₀ : x = 1	B ₂ : x = 5	B ₄ : x = 9	B ₆ : x = D
B ₁ : x = 3	B ₃ : x = 7	B ₅ : x = B	B ₇ : x = F
 - b) JMP instruction

Page 0: x = 0	Page 2: x = 4	Page 4: x = 8	Page 6: x = C
Page 1: x = 2	Page 3: x = 6	Page 5: x = A	Page 7: x = E
 - c) CALL instruction

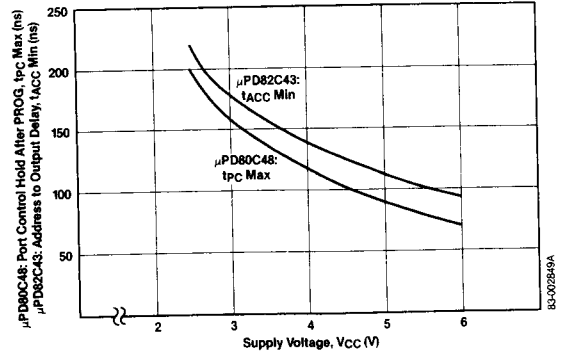
Page 0: x = 1	Page 2: x = 5	Page 4: x = 9	Page 6: x = D
Page 1: x = 3	Page 3: x = 7	Page 5: x = B	Page 7: x = F

Operating Characteristics

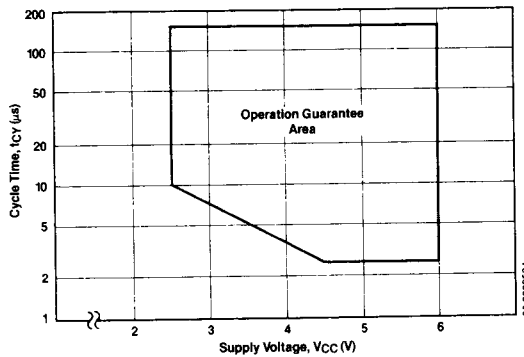
Supply Current vs. Oscillation Frequency



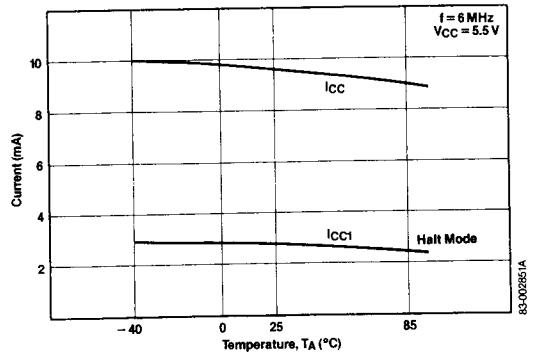
Port Control Hold After PROG, t_{PC} Max (μPD80C48), and Address to Output Delay, t_{ACC} Min (μPD82C43), vs. Supply Voltage



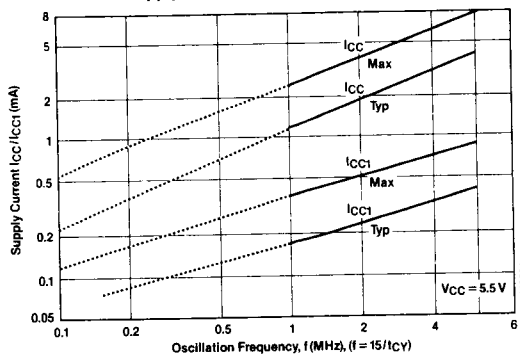
Cycle Time vs. Supply Voltage



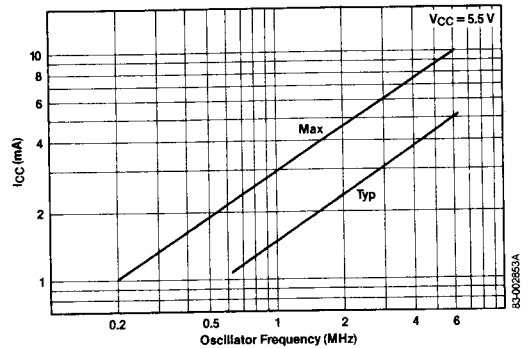
Current Consumption as a Function of Temperature — Normal Operating Mode



Supply Current vs. Oscillation Frequency



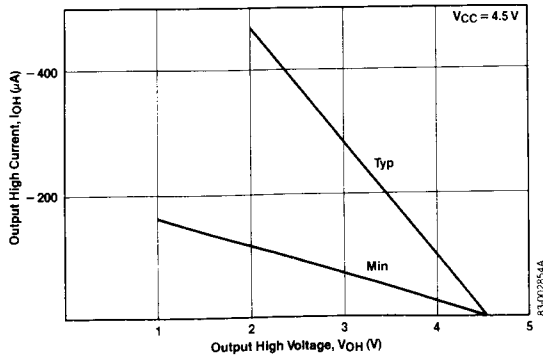
Current Consumption as a Function of Operating Frequency — Normal Operating Mode



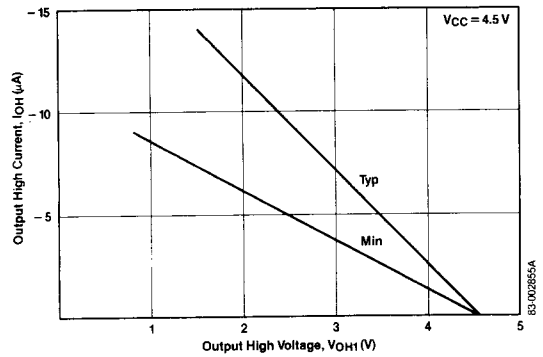
Note: External oscillation is for frequency less than 1 MHz. Internal oscillation requires more power.

Operating Characteristics (cont)

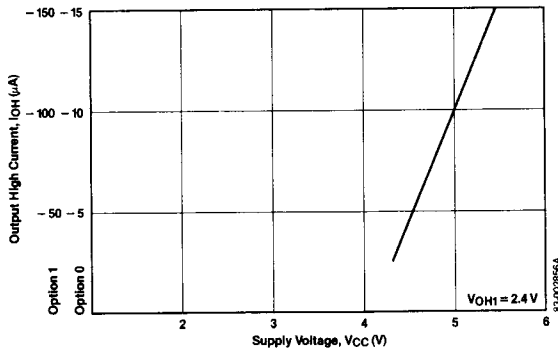
Output High Current vs. Output High Voltage



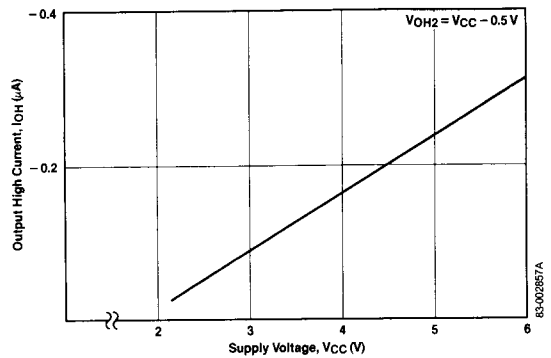
Output High Current vs. Output High Voltage



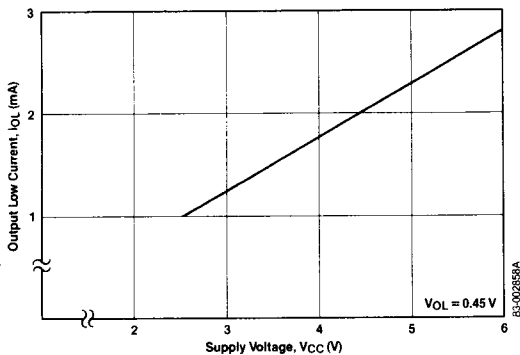
Output High Current vs. Supply Voltage



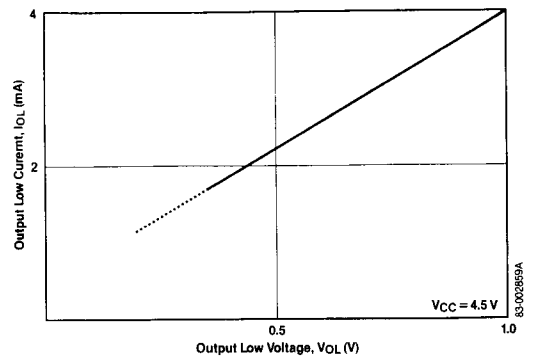
Output High Current vs. Supply Voltage



Output Low Current vs. Supply Voltage



Output Low Current vs. Output Low Voltage



4

Operating Characteristics (cont)

Current Consumption as a Function of Temperature — Stop Mode

